

PRODUCT INFORMATION PACKET

Model No: 5KCR49PN0098X

Catalog No: EG272

3/4 HP General Purpose Motor, 1 phase, 1800 RPM, 100-120/200-240 V, 56 Frame, ODP
Single Phase ODP Motors





Nameplate Specifications

Output HP	0.75 Hp	Output KW	0.56 kW
Frequency	60 Hz	Voltage	100-120/200-240 V
Current	9.0-8.8,4.5-4.4 A	Speed	1725/1425 rpm
Service Factor	1	Phase	1
Efficiency	75.2 %	Power Factor	0
Duty	Continuous	Insulation Class	B
KVA Code	M	Frame	56
Enclosure	Drip Proof	Thermal Protection	AUTO
Ambient Temperature	40 °C	Drive End Bearing Size	6203
Opp Drive End Bearing Size	6203	UL	Recognized
CSA	Yes	CE	N

Technical Specifications

Electrical Type	Capacitor Start Capacitor Run	Starting Method	SM
Poles	4	Rotation	Counterclockwise/Clockwise
Mounting	Resilient Base	Motor Orientation	ANY
Drive End Bearing	BALL	Opp Drive End Bearing	Ball
Frame Material	Rolled Steel	Overall Length	11.37 in
Frame Length	7.15 in	Shaft Diameter	0.630 in
Shaft Extension	1.88 in		
Outline Drawing	52A107705P4	Connection Drawing	52A105383AC

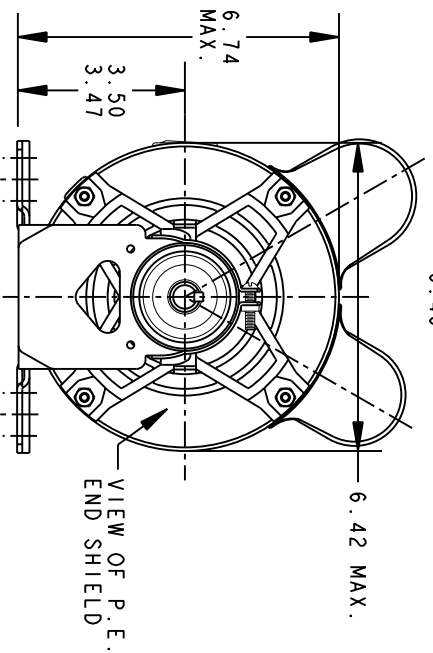
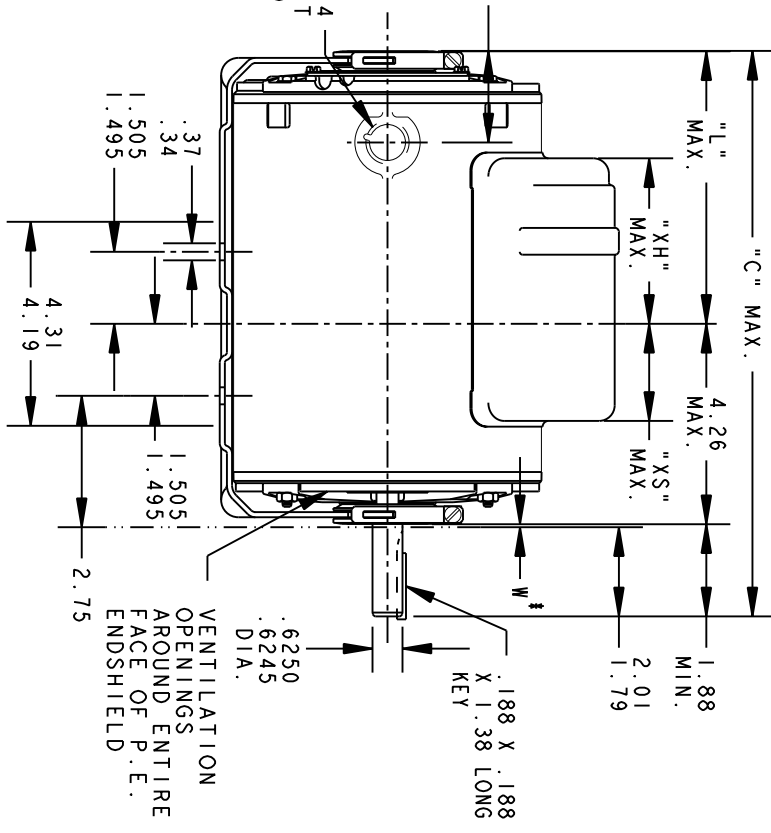
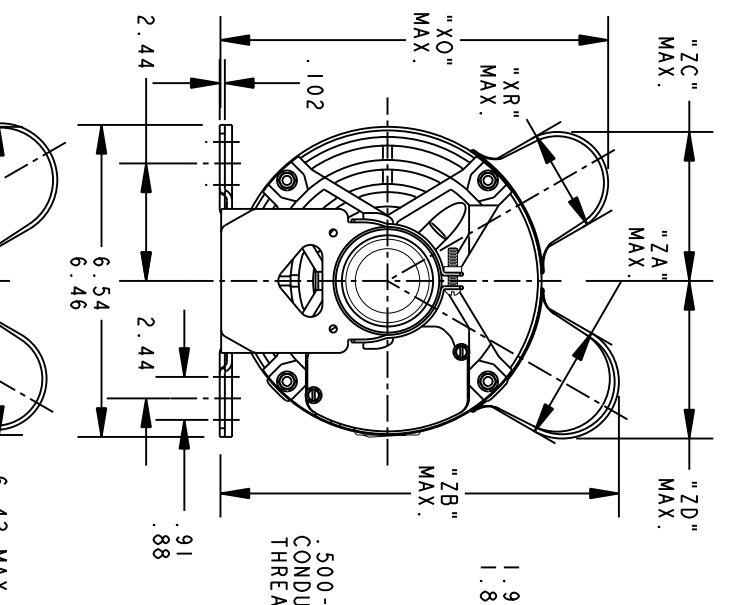
This is an uncontrolled document once printed or downloaded and is subject to change without notice. Date Created:03/11/2020

THIRD ANGLE PROJECTION



REVISIONS

REV.	DESCRIPTION	DATE	APPROVED
12	CHG TO RBC FORMAT PER IS05-1777	03/01/06	SUDHA



* W IS A VARIABLE CLEARANCE DUE TO VARIATIONS IN PARTS AND ASSEMBLY

7	6	5	4	3	2	1	P
KCR	KCR	KCR	KCR	KCR/KC	KCR	KCR	TYPE
48	49	49	49	46	49	49	GE SIZE
56	56	56	56	56	56	56	NEMA FR
12.66	11.91	10.37	11.37	10.77	11.91	11.91	"C"
6.50	5.75	4.23	5.23	4.63	5.75	5.75	"L"
3.58	3.58	2.86	3.52	2.92	3.58	3.58	"XH"
8.18	8.18	8.18	8.18	8.18	8.18	8.18	"XO"
2.15	2.15	2.15	2.15	2.15	2.15	2.15	"XR"
2.17	2.17	2.89	2.23	2.83	2.17	2.17	"XS"
2.40	1.60	1.60	2.40	2.40	2.40	2.40	"ZA"
8.40	7.81	7.72	8.40	8.40	8.40	8.40	"ZB"
3.20	3.20	3.20	3.20	3.20	3.20	3.20	"ZC"
3.38	2.86	2.97	3.38	3.38	3.66	3.38	"ZD"
8.43	7.68	6.15	7.15	6.55	7.68	7.68	MIN. SHELL

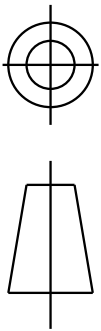


REGAL-BELOIT CORPORATION

TITLE
40 FRAME REDESIGN - GENERAL PURPOSE MOTOR - DRIP PROOF - BALL BEARING - RESILIENT BASE

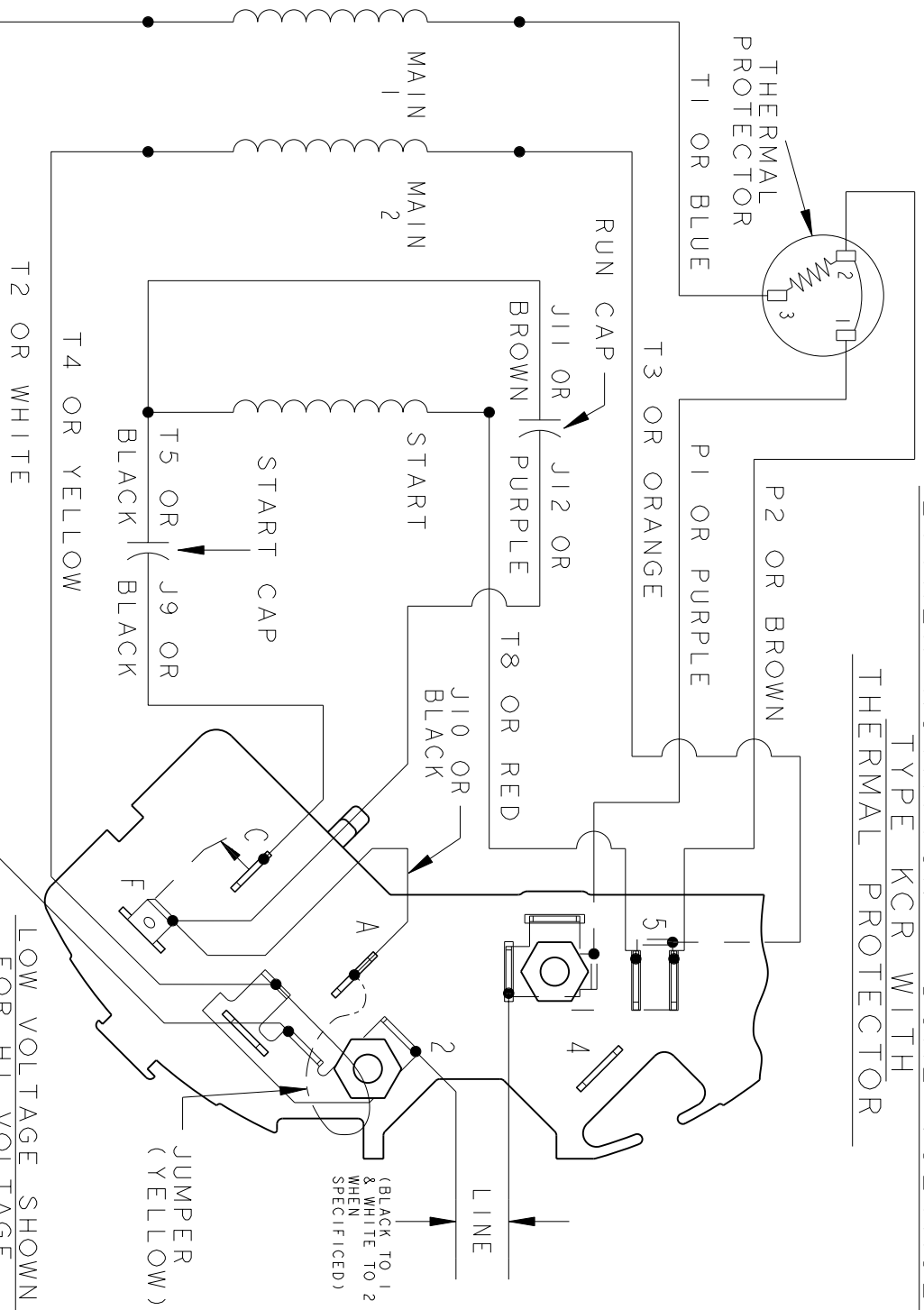
FOR ADDITIONAL INFO REFER TO:	MFG	QUALITY	M.D. PAPER	ISSUED	05/14/95
APPLIED PRACTICES	ENGRG	CHECKED	DETAIL	MODEL	M.D. PAPER
DIMENSIONS ARE IN INCHES	ISSUED	05/14/95	SOLID MODEL: 52A107705	SIGNATURES	DATE

SCALE: 0.250	REF. No.:	SHEET 1 of 1
SIZE: DRAWING A	REV 12	



REV.	DESCRIPTION	DATE	APPROVED
4	ADDED NOTE FOR LINE LEAD PER DS09-1045	07/15/09	ARCHANA

EITHER ROTATION - DUAL VOLTAGE
TYPE KCR WITH
THERMAL PROTECTOR



LOW VOLTAGE SHOWN
FOR HI VOLTAGE
SEE NOTE #1

- NOTE #1 - FOR HI VOLTAGE REMOVE BROWN (P2) FROM TERMINAL #5 AND PLACE ON TERMINAL #4, REMOVE WHITE (T2) FROM TERMINAL #2 AND PLACE ON TERMINAL #5.
- NOTE #2 - TO REVERSE ROTATION INTERCHANGE BLACK (J10) AND RED (T8) LEADS.
- NOTE #3 - WHEN MORE THAN ONE CAPACITOR IS USED CONNECT IN PARALLEL.

REF. DIAG. - NONE

SWITCH - 115D958AC
CONNECTION LABEL - 52X332051

SIGNATURES	DATE
MODEL M.D. PAPE	03/03/88
DETAIL	
CHECKED	
ENGRG	
MFG	
FOR ADDITIONAL INFO REFER TO:	
APPLIED PRACTICES	QUALITY
DIMENSIONS ARE IN INCHES	ISSUED
MATERIAL	SOLID MODEL: 52A105383AC



REGAL-BELOIT CORPORATION

CONNECTION DIAGRAM

30 FRAME SWITCH REDESIGN

TITLE	SIZE	DRAWING	SCALE	REF. No.	SHEET	REV
	A		1.000		1 of 1	4